

Products & Services

Enclosed & Open Gearing



RENOLD
Superior Gear Technology

Worm Gear Units

“Renold – a respected, trusted global brand.”



Renold Gears is expert in the design and manufacture of worm gears for all industrial applications.

The standard product range comprises:

→ **jPM Series Worm Gear Units**

- Power: Up to 6.66 kW
- Ratios: 5:1 to 70:1

→ **PM Series Worm Gear and Helical Worm Gear Units**

- Power: Up to 84 kW
- Ratios: 5:1 to 333:1

→ **WM Series Worm Gear Units**

- Power: Up to 115 kW
- Ratios: 5:1 to 70:1 single reduction; 75:1 to 4,900:1 double reduction

→ **TW Series Worm Gear Units**

- Power: Up to 1459 kW
- Ratios: 5:1 to 70:1 single reduction; 75:1 to 4,900:1 double reduction



Helical/Bevel Gear Units

“Reliability, quality and proven performance.”



Renold Gears offer a number of helical gear solutions including shaft mount helical and inline helical gear units.

The standard product range comprises:

→ **SMX Series Shaft Mount Helical**

- Power: Up to 235 kW
- Ratios: 5:1 as single reduction; 13:1, 20:1, 25:1 as double reduction

→ **RF Series Shaft Mount Helical**

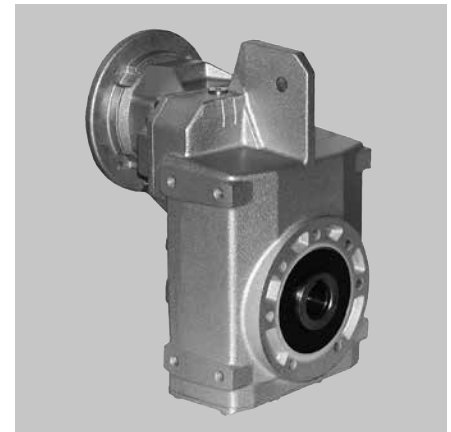
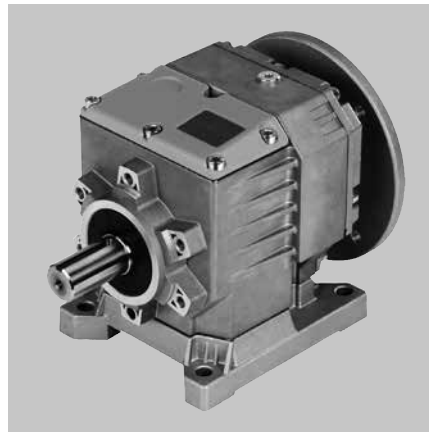
- Power: Up to 7.5 kW
- Ratios up to 300:1

→ **RP Series Inline Helical Speed Reducer**

- Power: up to 22 kW
- Ratios: Up to 363:1

→ **HC Series - Helical and Bevel Helical Units**

- Power: Up to 11,000 kW
- Ratios: Up to 500:1



Open Gears

“Manufactured using the unique Renold Holroyd gear form.



Renold Gears offers a range of open gear sets manufactured to commercial and high-precision accuracies. The gears are available to both standard and bespoke dimensions.

→ **Commercial Gears**

Worm gears manufactured using the Renold Holroyd toothform which conforms to BS721.

→ **Precision Gears**

High-precision dual lead worm gears for extreme accuracy and minimum backlash.

→ **Ren-Adjust**

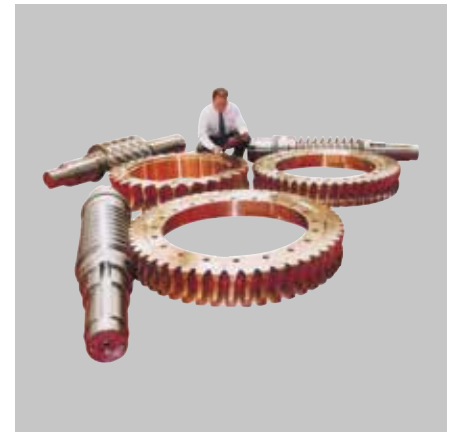
High-precision adjustment mechanism for dual lead gear sets.

→ **Custom Gears**

Custom-designed precision and commercial worm gear sets.

→ **Helical/Spur Gears**

High-precision loose helical and spur gears up to DIN1 standard.



Custom Gear Units

“Designed to each customer’s specific application requirements.”



Renold Gears offers a unique design and manufacturing service supported by full project management to ensure the best engineering solution to every unique application.

→ Package Drives

Complete power transmission solutions.

→ Custom Design

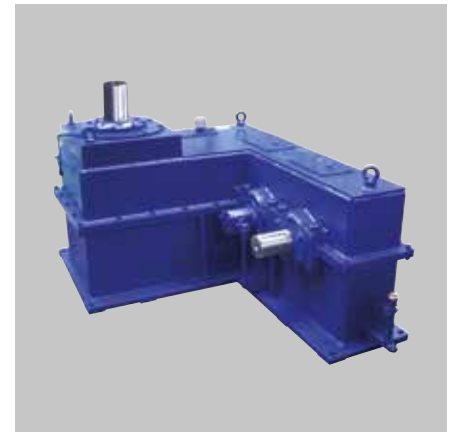
Designed and manufactured to each customer’s specific dimensions.

→ Replacement Units

Gearboxes to replace obsolete units with no need for modifications.

→ Critical Applications

Gearboxes where design verification is critical to meet exacting customer requirements.



Gearbox Refurbishment

“Uncompromising technical quality, accuracy and customer service.”



Renold Gears offers a complete industrial gearbox refurbishment service. Our expertise is based on over 130 years of gearbox design and manufacture, and is supported by our dedicated Service Team.

We offer a Rapid Response Service to ensure minimum disruption and downtime.

→ Refurbishment

Our refurbishment service includes:

- Collection of unit
- Strip and inspection
- Re-build to 'as new' condition
- Testing
- 12-month warranty

→ Service

We also offer:

- Service exchange programme
- Drop-in replacements
- Commissioning and installation support
- Training



Key Industry Sectors

Renold products and services are utilised in a wide range of applications highlighted in the key industry sector brochures, available to download from www.renold.com

Transportation. Global Solutions




Product Range
People Movement




RENOLD
Engineering for Life

Energy. Global Solutions



Product Range
Power Generation



RENOLD
Engineering for Life

Manufactured Products. Global Solutions



Product Range
Rolling Mills



RENOLD
Engineering for Life

Environmental. Global Solutions



Product Range
Water Treatment
Waste Management



RENOLD
Engineering for Life

Mining & Quarrying. Global Solutions



Product Range
Extraction
Processing



RENOLD
Engineering for Life

Material Handling. Global Solutions



Product Range
Conveying
Lifting



RENOLD
Engineering for Life

Agriculture, Forestry & Fishing. Global Solutions




Product Range
Harvesting
Processing



RENOLD
Engineering for Life

Food & Drink Processing. Global Solutions



Product Range
Processing
Packaging



RENOLD
Engineering for Life

Construction Machinery. Global Solutions



Product Range
Building
Civil



RENOLD
Engineering for Life

RENOLD

A global power transmission group serving global markets through an international network.

For your local Renold sales and service location visit www.renold.com

Superior Technology. Global Expertise.

www.renold.com



REN35/BROPS/0116/E
A Business of Renold Power Transmission Ltd.

RENOLD
Superior Gear Technology